



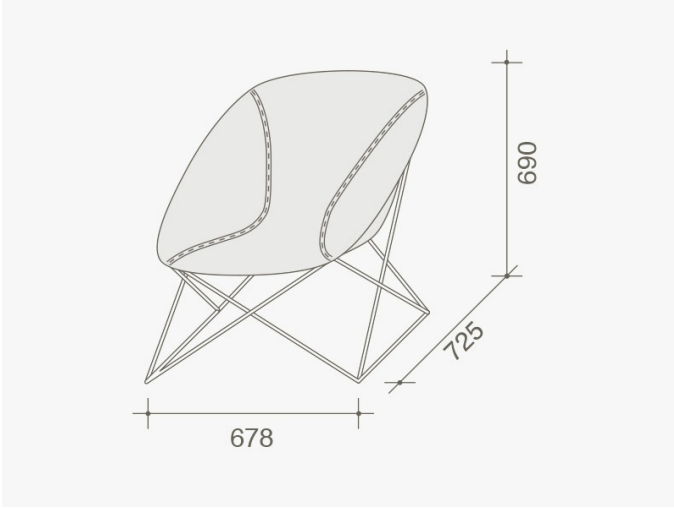
# POPSI

*Design by:*  
Ferruccio Laviani

*Year:*  
2013

Signed by Ferruccio Laviani, Popsi lounge chair stands out for the sought-for design and choice of refined materials: metal and leather. Its base consists of rod weave, a light metal web with a complex pattern. From the four points on the floor, making acute angles, groups of two or three elements supporting the four apexes of the wide seat covered in leather. Finished with an aesthetic sewing, to underline the petal sinuous curves, it is the perfect example of Lema's tailoring approach. Structure: - Metal Seat/ backrest: - Hide

# TECHNICAL DRAWINGS



— *popsi\_01*